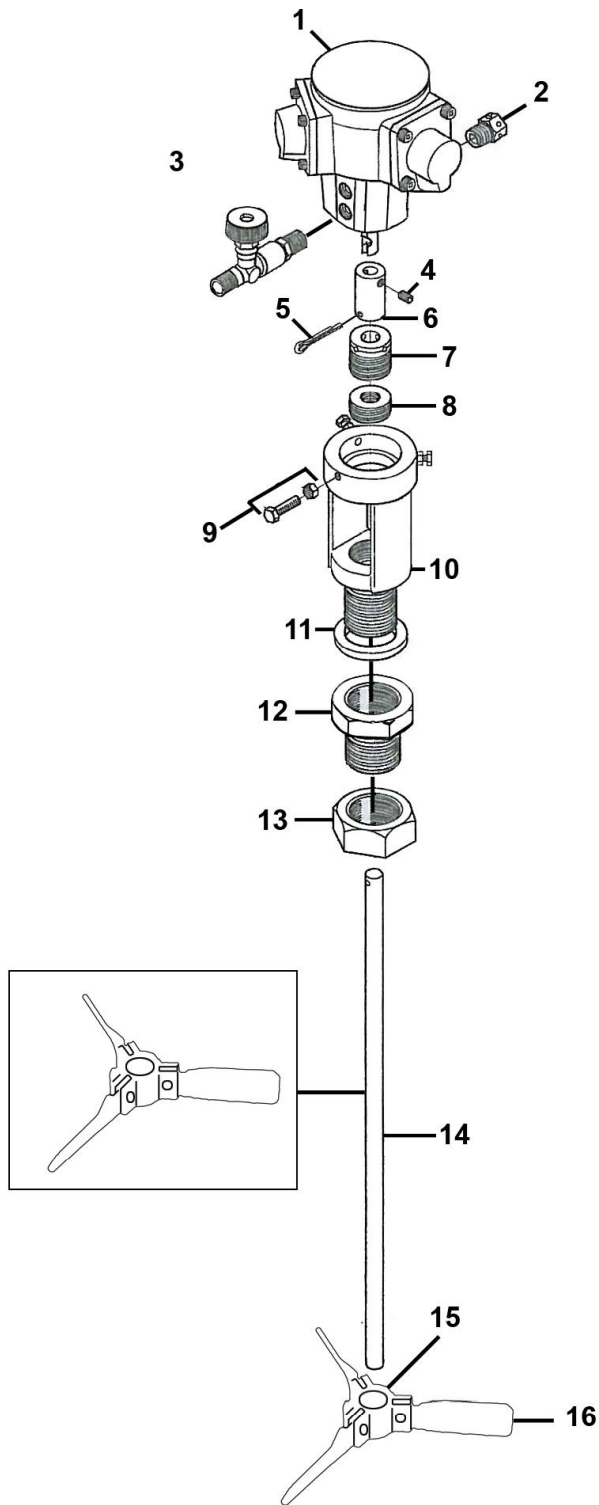


**C.A. Technologies**

# **54-310 Mixer**

PNEUMATIC 55 GALLON BUNG MOUNT MIXER  
PART SHEET





ITEM NO.	PART NO.	DESCRIPTION	ITEM NO.	PART NO.	DESCRIPTION
1	51-240	Air Motor	9	51-264	Screw & Nut 1/4-20 x 1/4 lg.
2	51-271	Muffler	10	51-287	Air Motor Base
3	51-247	Speed Valve Control Assembly	11	51-245	Seal Ring
4	51-262	Set Screw 1/4-20 x 1" lg.	12	54-311	Bung Adapter
5	51-266	Roll Pin	13	51-259	Retaining Nut
6	51-242	Coupling	14	70-231	Agitation Shaft (55 Gallon)
7	51-288	Guide	15	54-312	Coupling
8	51-289	Shaft Seal Assembly	16	54-212	Blade